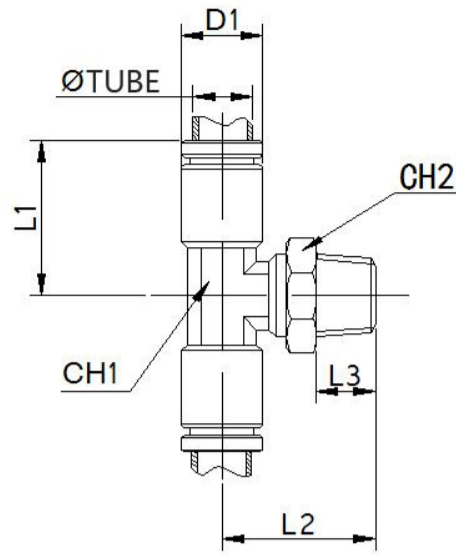


SPB Male Branch Tee - Stainless Steel Push to Connect Fittings



Material: 316 Stainless Steel
Fluid Admitted: Air, Water, Steam, and Other Liquid
Working Pressure: 0~2.0MPa | 0~290psi
Proof Pressure: 3.0Mpa | 435psi
Negative Pressure: -100Kpa | -29.5 In Hg
Working Temperature: 20~150°C | -4~302°F
Applicable Tube: PU / PA / Teflon Tubing
Seal, O-ring: FKM (Viton)

Metric Tubing to R, BSPT Thread Male Branch Tee Stainless Steel Push to Connect Fittings

PART NO.	Tube ØD	R	L1(mm)	L2(mm)	L3(mm)	D1(mm)	CH1(mm)	CH2(mm)
SPB 04-M5	4	M5	17	14	4	10.5	9.2	11
SPB 04-01	4	R1/8	17	17.5	8	10.5	9.2	11
SPB 04-02	4	R1/4	17	19.5	11	10.5	9.2	14
SPB 06-M5	6	M5	20	14	4	12.5	9.2	11
SPB 06-01	6	R1/8	20	18	8	12.5	9.2	11
SPB 06-02	6	R1/4	20	21	11	12.5	9.2	14
SPB 06-03	6	R3/8	20	21	11	12.5	9.2	17
SPB 06-04	6	R1/2	20	24	14	12.5	9.2	22
SPB 08-01	8	R1/8	22	21	8	14.5	11.2	14
SPB 08-02	8	R1/4	22	23	11	14.5	11.2	14
SPB 08-03	8	R3/8	22	23	11	14.5	11.2	17
SPB 08-04	8	R1/2	22	26	14	14.5	11.2	22
SPB 10-02	10	R1/4	26.5	28	11	17.5	13.2	17
SPB 10-03	10	R3/8	26.5	28	11	17.5	13.2	17
SPB 10-04	10	R1/2	26.5	31	14	17.5	13.2	22
SPB 12-02	12	R1/4	29	30.5	11	20.5	15.5	19
SPB 12-03	12	R3/8	29	32.5	11	20.5	15.5	19
SPB 12-04	12	R1/2	29	35.5	14	20.5	15.5	22
SPB 14-02	14	R1/4	33	32	11	22	20.6	22
SPB 14-03	14	R3/8	33	33	11	22	20.6	22
SPB 14-04	14	R1/2	33	36	14	22	20.6	22
SPB 16-02	16	R1/4	35	35	11	24	20.6	22
SPB 16-03	16	R3/8	35	35	11	24	20.6	22
SPB 16-04	16	R1/2	35	38	14	24	20.6	22

Inch Tubing to R, BSPT Thread Male Branch Tee Stainless Steel Push to Connect Fitting

PART NO.	Tube ØD	R	L1(mm)	L2(mm)	L3(mm)	D1(mm)	CH1(mm)	CH2(mm)
SPB 5/32-M5	5/32"	M5	17	14	4	10.5	9.2	11
SPB 5/32-01	5/32"	R1/8	17	17.5	8	10.5	9.2	11
SPB 5/32-02	5/32"	R1/4	17	19.5	11	10.5	9.2	14
SPB 1/4-M5	1/4"	M5	20	14	4	12.5	9.2	11
SPB 1/4-01	1/4"	R1/8	20	18	8	12.5	9.2	11
SPB 1/4-02	1/4"	R1/4	20	21	11	12.5	9.2	14
SPB 1/4-03	1/4"	R3/8	20	21	11	12.5	9.2	17
SPB 1/4-04	1/4"	R1/2	20	24	14	12.5	9.2	22
SPB 5/16-01	5/16"	R1/8	22	21	8	14.5	11.2	14
SPB 5/16-02	5/16"	R1/4	22	23	11	14.5	11.2	14
SPB 5/16-03	5/16"	R3/8	22	23	11	14.5	11.2	17
SPB 5/16-04	5/16"	R1/2	22	26	14	14.5	11.2	22
SPB 3/8-02	3/8"	R1/4	26.5	28	11	17.5	13.2	17
SPB 3/8-03	3/8"	R3/8	26.5	28	11	17.5	13.2	17
SPB 3/8-04	3/8"	R1/2	26.5	31	14	17.5	13.2	22
SPB 1/2-02	1/2"	R1/4	29	30.5	11	20.5	15.5	19
SPB 1/2-03	1/2"	R3/8	29	32.5	11	20.5	15.5	19
SPB 1/2-04	1/2"	R1/2	29	35.5	14	20.5	15.5	22

Inch Tubing to NPT Thread Male Branch Tee Stainless Steel Push to Connect Fittings

PART NO.	Tube ØD	R	L1(mm)	L2(mm)	L3(mm)	D1(mm)	CH1(mm)	CH2(mm)
SPB 5/32-U10	5/32"	10-32 UNF	17	14	4	10.5	9.2	11
SPB 5/32-N01	5/32"	1/8 NPT	17	17.5	8	10.5	9.2	11
SPB 5/32-N02	5/32"	1/4 NPT	17	19.5	11	10.5	9.2	14
SPB 1/4-U10	1/4"	10-32 UNF	20	14	4	12.5	9.2	11
SPB 1/4-N01	1/4"	1/8 NPT	20	18	8	12.5	9.2	11
SPB 1/4-N02	1/4"	1/4 NPT	20	21	11	12.5	9.2	14
SPB 1/4-N03	1/4"	3/8 NPT	20	21	11	12.5	9.2	17
SPB 1/4-N04	1/4"	1/2 NPT	20	24	14	12.5	9.2	22
SPB 5/16-N01	5/16"	1/8 NPT	22	21	8	14.5	11.2	14
SPB 5/16-N02	5/16"	1/4 NPT	22	23	11	14.5	11.2	14
SPB 5/16-N03	5/16"	3/8 NPT	22	23	11	14.5	11.2	17
SPB 5/16-N04	5/16"	1/2 NPT	22	26	14	14.5	11.2	22
SPB 3/8-N02	3/8"	1/4 NPT	26.5	28	11	17.5	13.2	17
SPB 3/8-N03	3/8"	3/8 NPT	26.5	28	11	17.5	13.2	17
SPB 3/8-N04	3/8"	1/2 NPT	26.5	31	14	17.5	13.2	22
SPB 1/2-N02	1/2"	1/4 NPT	29	30.5	11	20.5	15.5	19
SPB 1/2-N03	1/2"	3/8 NPT	29	32.5	11	20.5	15.5	19
SPB 1/2-N04	1/2"	1/2 NPT	29	35.5	14	20.5	15.5	22

Metric Tubing to NPT Thread Male Branch Tee Stainless Steel Push to Connect Fittings

PART NO.	Tube ØD	R	L1(mm)	L2(mm)	L3(mm)	D1(mm)	CH1(mm)	CH2(mm)
SPB 04-U10	4	10-32 UNF	17	14	4	10.5	9.2	11
SPB 04-N01	4	1/8 NPT	17	17.5	8	10.5	9.2	11
SPB 04-N02	4	1/4 NPT	17	19.5	11	10.5	9.2	14
SPB 06-U10	6	10-32 UNF	20	14	4	12.5	9.2	11
SPB 06-N01	6	1/8 NPT	20	18	8	12.5	9.2	11
SPB 06-N02	6	1/4 NPT	20	21	11	12.5	9.2	14
SPB 06-N03	6	3/8 NPT	20	21	11	12.5	9.2	17
SPB 06-N04	6	1/2 NPT	20	24	14	12.5	9.2	22
SPB 08-N01	8	1/8 NPT	22	21	8	14.5	11.2	14
SPB 08-N02	8	1/4 NPT	22	23	11	14.5	11.2	14
SPB 08-N03	8	3/8 NPT	22	23	11	14.5	11.2	17
SPB 08-N04	8	1/2 NPT	22	26	14	14.5	11.2	22
SPB 10-N02	10	1/4 NPT	26.5	28	11	17.5	13.2	17
SPB 10-N03	10	3/8 NPT	26.5	28	11	17.5	13.2	17
SPB 10-N04	10	1/2 NPT	26.5	31	14	17.5	13.2	22
SPB 12-N02	12	1/4 NPT	29	30.5	11	20.5	15.5	19
SPB 12-N03	12	3/8 NPT	29	32.5	11	20.5	15.5	19
SPB 12-N04	12	1/2 NPT	29	35.5	14	20.5	15.5	22
SPB 14-N02	14	1/4 NPT	33	32	11	22	20.6	22
SPB 14-N03	14	3/8 NPT	33	33	11	22	20.6	22
SPB 14-N04	14	1/2 NPT	33	36	14	22	20.6	22
SPB 16-N02	16	1/4 NPT	35	35	11	24	20.6	22
SPB 16-N03	16	3/8 NPT	35	35	11	24	20.6	22
SPB 16-N04	16	1/2 NPT	35	38	14	24	20.6	22