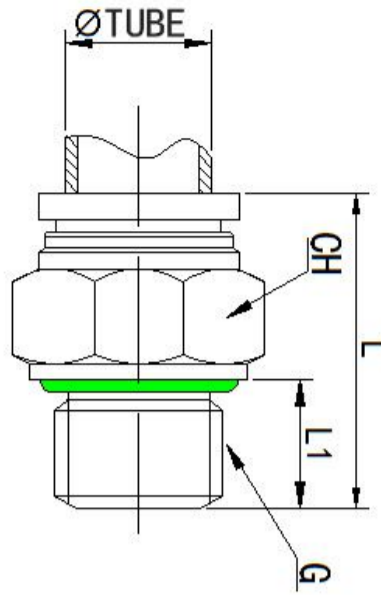


## SPC-G Male Straight - BSPP, G Thread Stainless Steel Push to Connect Fittings



**Material:** 316 Stainless Steel  
**Fluid Admitted:** Air, Water, Steam, and other liquid  
**Working Pressure:** 0~2.0MPa | 0~290psi  
**Proof Pressure:** 3.0Mpa | 435psi  
**Negative Pressure:** -100Kpa | -29.5 In Hg  
**Working Temperature:** 20~150°C | -4~302°F  
**Applicable Tube:** PU / PA / Teflon Tubing  
**Seal, O-ring:** FKM (Viton)

### Metric Tubing to G, BSP, BSPP Thread Male Straight Stainless Steel Push to Connect Fittings

PART NO.	Tube ØD	G	L(mm)	L1(mm)	CH(mm)
SPC 04-G01	4	G1/8	23	6	14
SPC 04-G02	4	G1/4	23	7	17
SPC 06-G01	6	G1/8	23	6	14
SPC 06-G02	6	G1/4	24	7	17
SPC 06-G03	6	G3/8	24	7	19
SPC 06-G04	6	G1/2	25	8	24
SPC 08-G01	8	G1/8	25	6	14
SPC 08-G02	8	G1/4	25	7	17
SPC 08-G03	8	G3/8	25	7	19
SPC 08-G04	8	G1/2	25	8	24
SPC 10-G02	10	G1/4	27	7	17
SPC 10-G03	10	G3/8	25	7	19
SPC 10-G04	10	G1/2	25	8	24
SPC 12-G02	12	G1/4	27	7	19
SPC 12-G03	12	G3/8	25	7	19
SPC 12-G04	12	G1/2	25	8	24
SPC 14-G02	14	G1/4	27	7	22
SPC 14-G03	14	G3/8	27	7	22
SPC 14-G04	14	G1/2	25	8	24
SPC 16-G02	16	G1/4	28	7	24
SPC 16-G03	16	G3/8	28	7	24
SPC 16-G04	16	G1/2	25	8	24

### Inch Tubing to G, BSP, BSPP Thread Male Straight Stainless Steel Push to Connect Fittings

PART NO.	Tube ØD	G	L(mm)	L1(mm)	CH(mm)
SPC 5/32-G01	5/32"	G1/8	23	6	14
SPC 5/32-G02	5/32"	G1/4	23	7	17
SPC 1/4-G01	1/4"	G1/8	23	6	14
SPC 1/4-G02	1/4"	G1/4	24	7	17
SPC 1/4-G03	1/4"	G3/8	24	7	19
SPC 1/4-G04	1/4"	G1/2	25	8	24
SPC 5/16-G01	5/16"	G1/8	25	6	14
SPC 5/16-G02	5/16"	G1/4	25	7	17
SPC 5/16-G03	5/16"	G3/8	25	7	19
SPC 5/16-G04	5/16"	G1/2	25	8	24
SPC 3/8-G02	3/8"	G1/4	27	7	17
SPC 3/8-G03	3/8"	G3/8	25	7	19
SPC 3/8-G04	3/8"	G1/2	25	8	24
SPC 1/2-G02	1/2"	G1/4	27	7	19
SPC 1/2-G03	1/2"	G3/8	25	7	19
SPC 1/2-G04	1/2"	G1/2	25	8	24