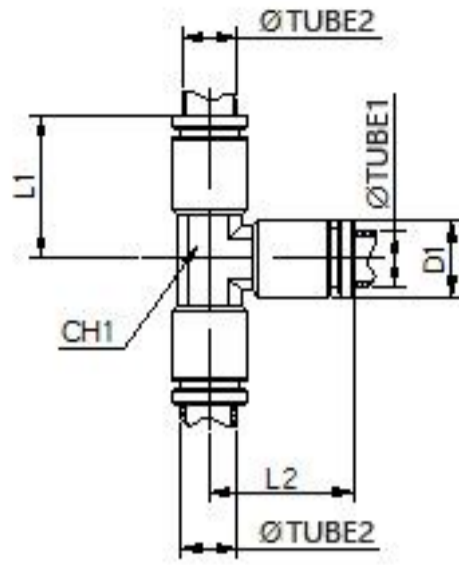


SPEG Union Tee Reducer - Stainless Steel Push to Connect Fittings



Material: 316 Stainless Steel
Fluid Admitted: Air, Water, Steam, and Other Liquid
Working Pressure: 0~2.0MPa | 0~290psi
Proof Pressure: 3.0Mpa | 435psi
Negative Pressure: -100Kpa | -29.5 In Hg
Working Temperature: 20~150°C | -4~302°F
Applicable Tube: PU / PA / Teflon Tubing
Seal, O-ring: FKM (Viton)

Metric / Inch Tubing Union Tee Reducer Stainless Steel Push to Connect Fittings

PART NO.	Tube1 ØD	Tube2 ØD	L1(mm)	D1(mm)	D2(mm)	CH1(mm)
SPEG 06-04	4	6	20	9	11	9.2
SPEG 08-04	4	8	22	9	13.6	11.2
SPEG 08-06	6	8	22	11	13.6	11.2
SPEG 10-06	6	10	27	11	15.6	13.2
SPEG 10-08	8	10	27	13.6	15.6	13.2
SPEG 12-08	8	12	29	13.6	18.6	15.5
SPEG 12-10	10	12	28	15.6	18.6	15.5
SPEG 14-10	10	14	31	15.6	20.6	20.6
SPEG 14-12	12	14	31	18.6	20.6	20.6
SPEG 16-12	12	16	35	18.6	22.6	20.6
SPEG 16-14	14	16	35	20.6	22.6	20.6
SPEG 1/4-5/32	5/32"	1/4"	20	9	11	9.2
SPEG 5/16-5/32	5/32"	5/16"	22	9	13.6	11.2
SPEG 5/16-1/4	1/4"	5/16"	22	11	13.6	11.2
SPEG 3/8-1/4	1/4"	3/8"	27	11	15.6	13.2
SPEG 3/8-5/16	5/16"	3/8"	27	13.6	15.6	13.2
SPEG 1/2-5/16	5/16"	1/2"	29	13.6	18.6	15.5
SPEG 1/2-3/8	3/8"	1/2"	28	15.6	18.6	15.5