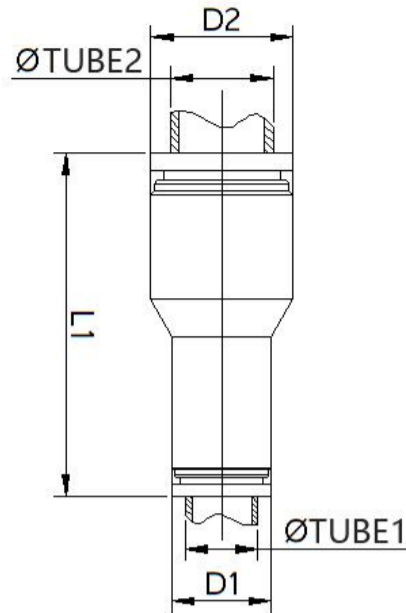


SPG Union Straight Reducer - Stainless Steel Push to Connect Fittings



Material: 316 Stainless Steel
Fluid Admitted: Air, Water, Steam, and Other Liquid
Working Pressure: 0~2.0MPa | 0~290psi
Proof Pressure: 3.0Mpa | 435psi
Negative Pressure: -100Kpa | -29.5 In Hg
Working Temperature: 20~150°C | -4~302°F
Applicable Tube: PU / PA / Teflon Tubing
Seal, O-ring: FKM (Viton)

Metric / Inch Tubing Union Straight Reducer Stainless Steel Push to Connect Fittings

PART NO.	Tube1 ØD	Tube2 ØD	D1(mm)	D2(mm)	L1(mm)
SPG 06-04	4	6	9	11	33
SPG 08-04	4	8	9	13.6	34
SPG 08-06	6	8	11	13.6	35
SPG 10-06	6	10	11	15.6	36
SPG 10-08	8	10	13.6	15.6	37
SPG 12-08	8	12	13.6	18.6	37
SPG 12-10	10	12	15.6	18.6	38
SPG 14-10	10	14	15.6	20.6	38
SPG 14-12	12	14	18.6	20.6	38
SPG 16-12	12	16	18.6	22.6	39
SPG 16-14	14	16	20.6	22.6	39
SPG 1/4-5/32	5/32"	1/4"	9	11	33
SPG 5/16-5/32	5/32"	5/16"	9	13.6	34
SPG 5/16-1/4	1/4"	5/16"	11	13.6	35
SPG 3/8-1/4	1/4"	3/8"	11	15.6	36
SPG 3/8-5/16	5/16"	3/8"	13.6	15.6	37
SPG 1/2-5/16	5/16"	1/2"	13.6	18.6	37
SPG 1/2-3/8	3/8"	1/2"	15.6	18.6	38