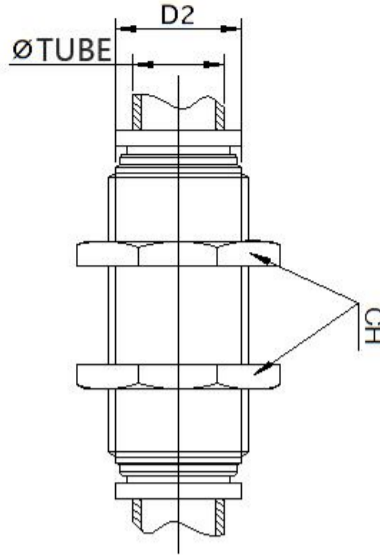


## SPM Bulkhead Union Straight - Stainless Steel Push to Connect Fittings



**Material:** 316 Stainless Steel  
**Fluid Admitted:** Air, Water, Steam, and Other Liquid  
**Working Pressure:** 0~2.0MPa | 0~290psi  
**Proof Pressure:** 3.0Mpa | 435psi  
**Negative Pressure:** -100Kpa | -29.5 In Hg  
**Working Temperature:** 20~150°C | -4~302°F  
**Applicable Tube:** PU / PA / Teflon Tubing  
**Seal, O-ring:** FKM (Viton)

### Metric / Inch Tubing Bulkhead Union Straight Stainless Steel Push to Connect Fittings

PART NO.	Tube ØD	L1(mm)	D2(mm)	CH(mm)
SPM 04	4	32	12	17
SPM 06	6	34	13	17
SPM 08	8	36	15	19
SPM 10	10	38	17	12
SPM 12	12	40	19	24
SPM 14	14	40	22	27
SPM 16	16	42	23	27
SPM 5/32	5/32"	32	12	17
SPM 1/4	1/4"	34	13	17
SPM 5/16	5/16"	36	15	19
SPM 3/8	3/8"	38	17	12
SPM 1/2	1/2"	40	19	24